
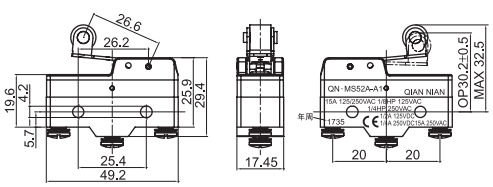

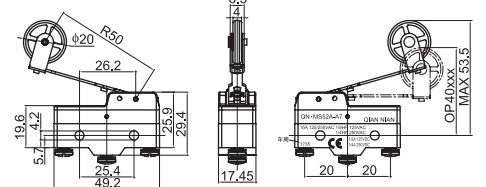

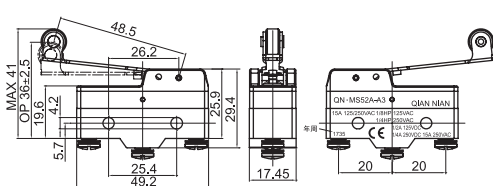

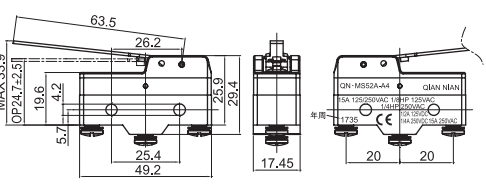

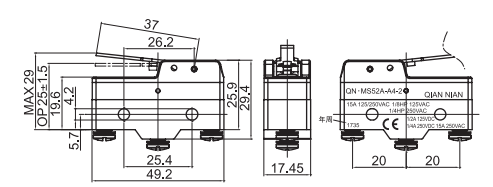

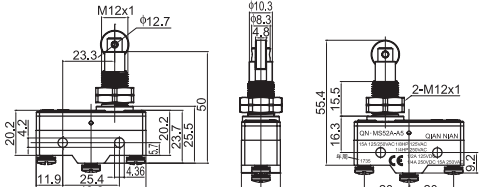


微动开关

| 名称 / 外观 Product Appearance | 操作类型 Operation | 触点 Contact | 产品型号 Model | 额定电压 / 电流 Rated Voltage/Current |
|---|-------------------|---------------|---------------|------------------------------------|
|  | 点动 Inching | 1NO/1NC | QN.MS52A-A1 | AC:250V/15A |
|  | 点动 Inching | 1NO/1NC | QN.MS52A-A7 | |
|  | 点动 Inching | 1NO/1NC | QN.MS52A-A3 | |
|  | 点动 Inching | 1NO/1NC | QN.MS52A-A4 | |
|  | 点动 Inching | 1NO/1NC | QN.MS52A-A4-2 | |
|  | 点动 Inching | 1NO/1NC | QN.MS52A-A5 | |

| | | | |
|---|---|--|---|
|  |  |  |  |
| QN.MS52A-A1 | | QN.MS52A-A7 | |
|  |  |  |  |
| QN.MS52A-A3 | | QN.MS52A-A4 | |
|  |  |  |  |
| QN.MS52A-A4-2 | | QN.MS52A-A5 | |