

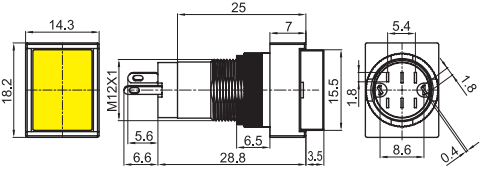

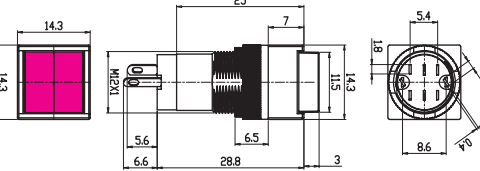

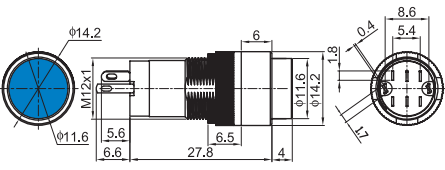

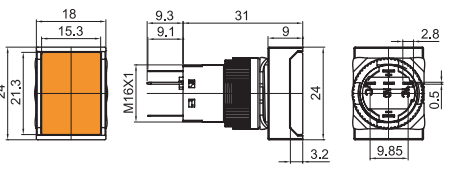

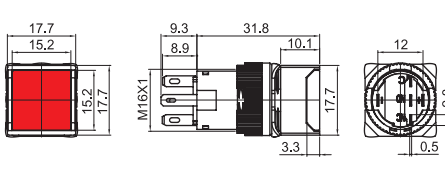

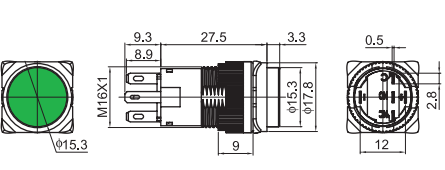


名称 / 外观 Product Appearance	带灯类型 Led Type	操作类型 Operation	触点 Contact	产品型号 Model	带灯颜色 Color	额定电压 / 电流 Rated Voltage/Current
	带灯 With LED	自复 Momentary / 自锁 Maintained	1NO1NC/ 2NO2NC	LAS12-A1 □	请用下列颜色编码 替换型号中的“□” R 红色 /Red G 绿色 /Green Y 黄色 /Yellow W 白色 /White B 蓝色 /Blue O 橙色 /Orange	开关功能脚: AC:250V/3A LED 参数: AC/DC: 1.8-250V <20mA
	带灯 With LED	自复 Momentary / 自锁 Maintained	1NO1NC/ 2NO2NC	LAS12-A2 □		
	带灯 With LED	自复 Momentary / 自锁 Maintained	1NO1NC/ 2NO2NC	LAS12-A3 □		
	带灯 With LED	自复 Momentary / 自锁 Maintained	1NO1NC/ 2NO2NC	LAS16-A1 □		
	带灯 With LED	自复 Momentary / 自锁 Maintained	1NO1NC/ 2NO2NC	LAS16-A2 □		
	带灯 With LED	自复 Momentary / 自锁 Maintained	1NO1NC/ 2NO2NC	LAS16-A3 □		

塑料按钮开关指示灯

			
LAS12-A1		LAS12-A2	
			
LAS12-A3		LAS16-A1	
			
LAS16-A2		LAS16-A3	